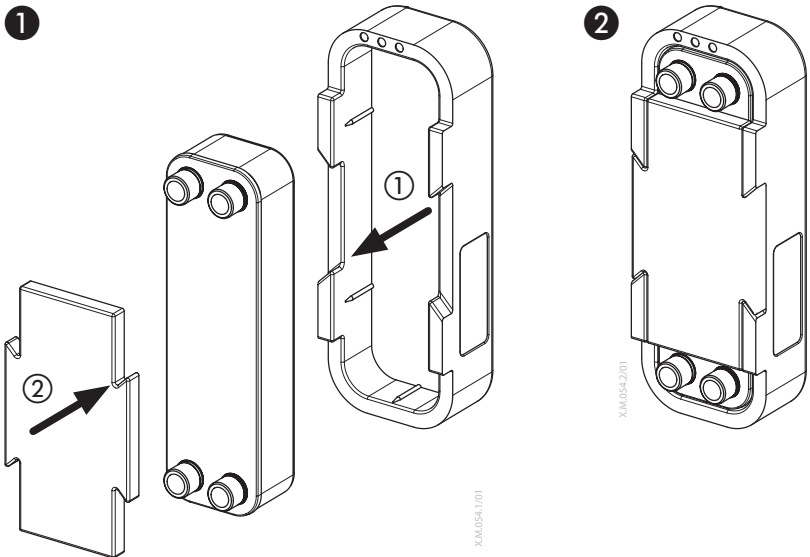
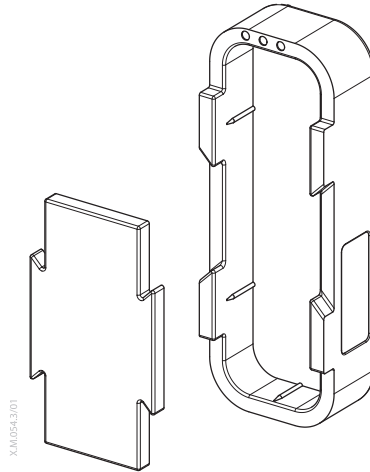


## Operating Guide

# XB05 & XB06 - EPP Insulation





## **XB05 & XB06 - EPP Insulation**

---