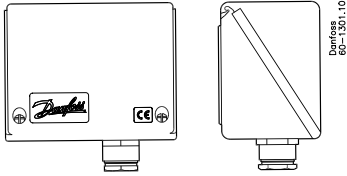


# Installation guide

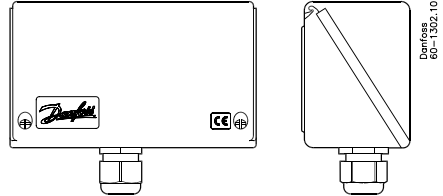
## IP 55 enclosure

### Type KP

060R9770

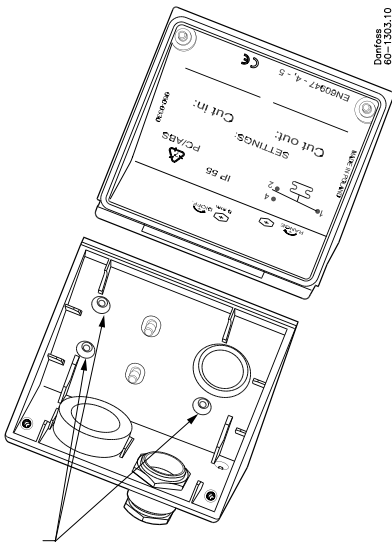


IP 55 enclosure for single KP  
code number 060-033066

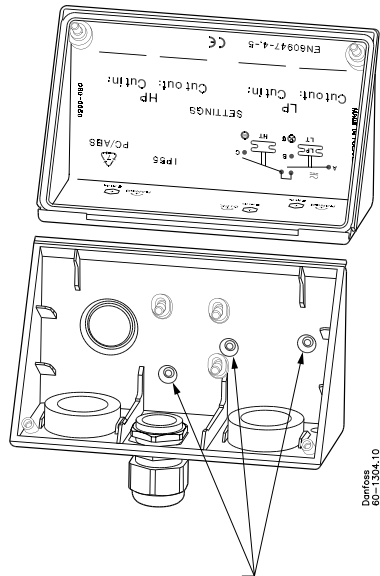


IP 55 enclosure for dual KP  
code number 060-035066

060R9770



Blind holes



Blind holes



**Note:**

If blind holes are to be used for mounting, the maximum torque must not exceed 2.5 Nm.