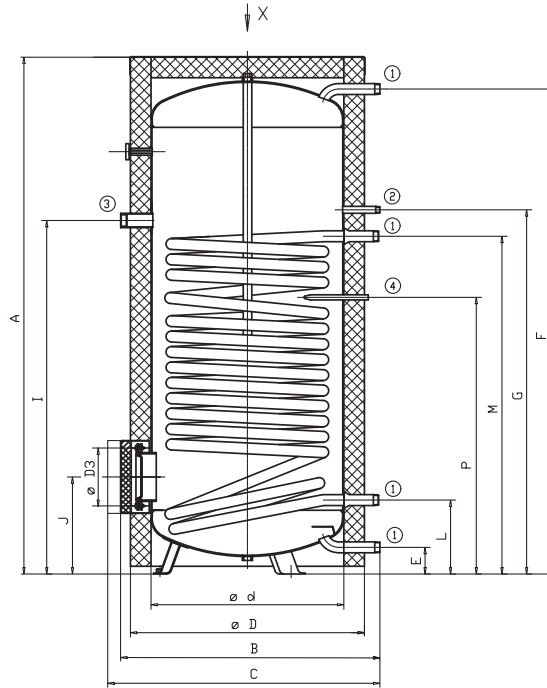


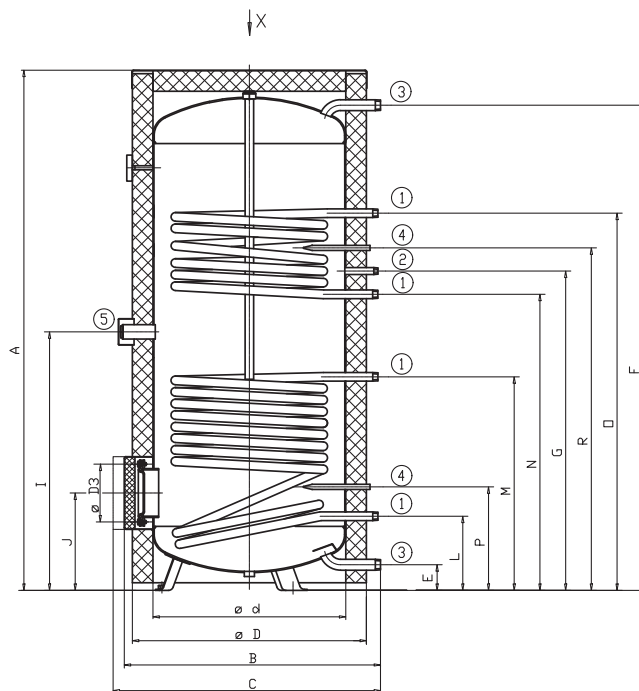
Dimensions [mm]	A	B	C	d	D	D3	E	F	G	I	J	L	M	P
OKC 750 NTR/BP	2030	1030	max. 1140	750	910	225	106	1890	1422	1380	383	293	1319	1081
OKC 1000 NTR/BP	2050	1130	max. 1240	850	1010	225	103	1900	1490	1375	386	296	1324	1088



SOCKET no. 1 5/4" outer  
 SOCKET no. 2 3/4" outer  
 SOCKET no. 3 5/4" inner  
 SOCKET no. 4 Ø20 x 2 x 200 inner

OKC 750, 1000 NTR/BP

Dimensions [mm]	A	B	C	d	D	D3	E	F	G	I	J	L	M	N	O	P	R
OKC 750 NTRR/BP	2030	1030	max. 1140	750	910	225	106	1890	1246	1009	383	293	835	1156	1471	407	1336
OKC 1000 NTRR/BP	2050	1130	max. 1240	850	1010	225	103	1900	1243	1024	386	296	884	1153	1423	411	1333



SOCKET no. 1 1" outer  
 SOCKET no. 2 3/4" outer  
 SOCKET no. 3 5/4" outer  
 SOCKET no. 4 Ø20 x 2 x 200 inner  
 SOCKET no. 5 5/4" inner

OKC 750, 1000 NTRR/BP